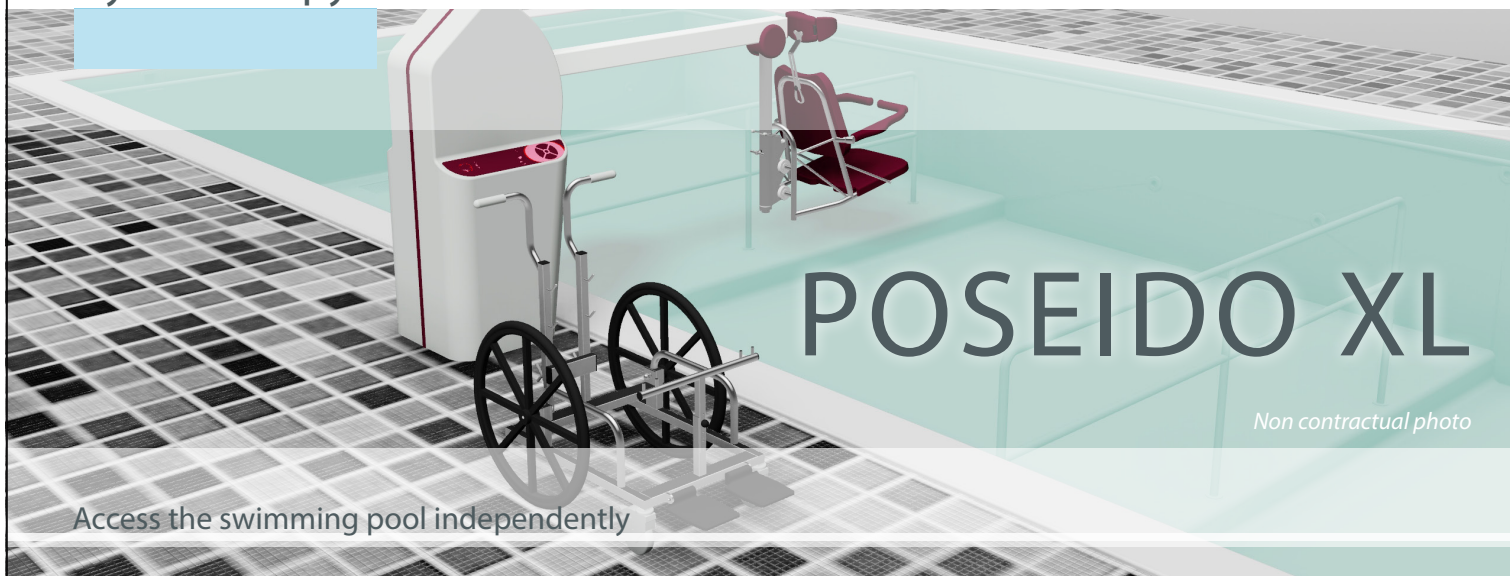


Hydrotherapy



POSEIDO XL

Non contractual photo

Access the swimming pool independently

POOL HOIST POSEIDO XL

PURE WATER : REF. 3111.24A - 3112.24A / SEA WATER : 3131.24A - 3132.24A



POSEIDO XL ensures the transfer of people with reduced mobility weighing up to 220kg, from the edge towards the inside of the pool safely. It is fixed to the ground and has an amplitude that allows it to adapt to in the ground pool as well as on the ground pool. Its rotation and up-down systems electrical are ordered from distance and allow access to the swimming pool safely and calmly, for the seated patient.

MADE IN
FRANCE

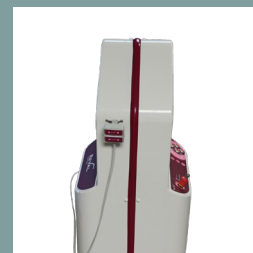
SINCE 1976

REVAL
LE BIEN-ÊTRE DURABLE

Hydrotherapy



Ref. 5145.00



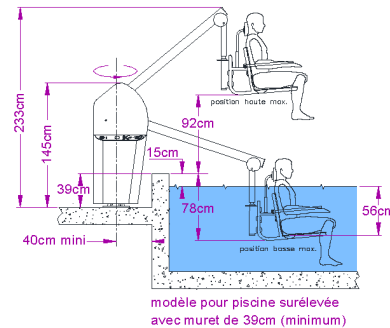
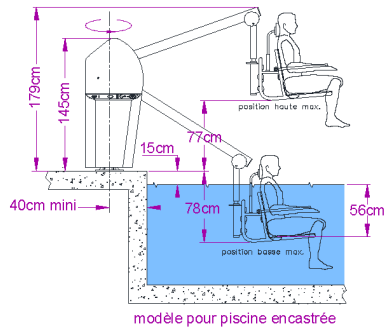
Ref. 9106.00



Ref. 5146.00

POSEIDO XL POOL HOIST

PURE WATER : REF. 3111.24A - 3112.24A / SEA WATER : 3131.24A - 3132.24A



GENERAL :

- Covers in white Polyester.
- Arm and submergeable parts in stainless steel (316L).
- Steel frame anti-corrosion coated, galvanized and painted.
- Polyurethane foam seat
- Max. load capacity : 220 kg
- Maximum lifting range:
 - On the ground pool version : 170cm
 - In the ground pool version : 155cm

ELECTRIC :

- 1 power supply 230V/24VCC 10A conform 61558-2-6
- 2 batteries 12V, 8A/h
- 1 green light «ON» indicating that the device is powered on.

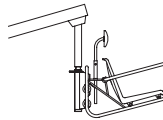
ACCESSORIES :

- 9106.00 Seat, max load 220kg with armrests, headrest and safety strap
- 5145.00 "Small-wheel" seat trolley for seat 9106.00
- 5146.00 "Big wheels" seat trolley for seat 9106.00
- Fresh water arm extension 10cm (ref. 3134.10) / 20cm (ref. 3134.20) 30cm (ref. 3134.30)
- Seawater arm extension 10cm (ref. 3135.10) / 20cm (ref. 3135.20) 30cm (ref. 3135.30)
- Raisers available (contact us)

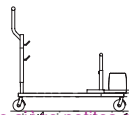
CONFORMITY :

- 93/42/EEC Medical devices directive
- 2014/35/EU Low voltage electrical equipment directive
- 2014/30/UE Electromagnetic compatibility directive
- NF EN 10535 Patient lift standard
- NF EN 60601-1 General safety rules electrical appliances
- NF C15-100 Electrical installation low voltage

siège 9106.00



porte-siège petites roues
5145.00



porte-siège grandes roues
5146.00



ENGINE

- 2 cylinders 24Vcc, stroke 370mm
- Rotation engine 24Vcc
- Adjustable rotation 360°
- Load-specific mechanical structure and engine

SAFETY DEVICES :

- Submergeable pneumatic control.
- Emergency stop button.
- Anti-crushing device.
- Battery-powered for up and down emergency
- Torque limiter in rotation (disengagement in the event of an obstacle)

MODELS :

- Pure water
- 3111.24A for in the ground pool with power supply
 - 3112.24A for on the ground pool with power supply

Sea or sulphurous water

- 3131.24A for in the ground pool with power supply
- 3132.24A for on the ground pool with power supply

