

Hydrotherapy

POSEIDO

Pool transfers made easy

POSEIDO Pool Hoist

PURE WATER : REF. 1111.24A - 1111.24B - 1112.24A - 1112.24B / SEA WATER : 1131.24A - 1131.24B - 1132.24A - 1132.24B



POSEIDO ensures the transfer of people with reduced mobility weighing up to 150kg, from the edge towards the inside of the pool safely. It is fixed to the ground and has an amplitude that allows it to adapt to in the ground pool. Its rotation and up-down systems electrical are ordered from distance and allow access to the swimming pool safely and calmly, for the seated patient.

MADE IN
FRANCE
SINCE 1976

REVAL
LE BIEN-ÊTRE DURABLE

Hydrotherapy



Ref. 5135.00



Ref. 9107.00



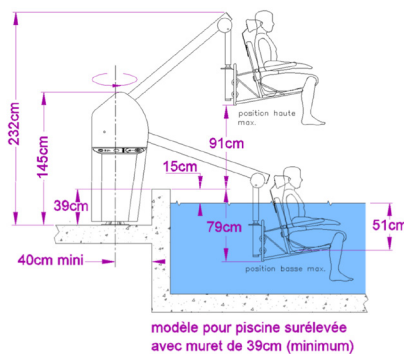
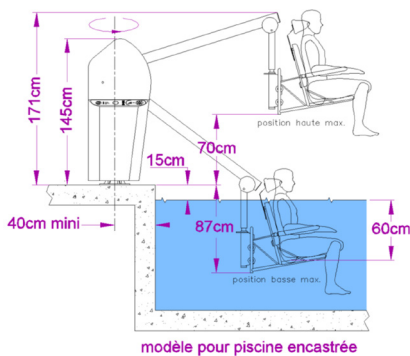
Ref. 9102.00



Ref. 5136.00

POSEIDO Pool Hoist

PURE WATER : REF. 1111.24A - 1111.24B - 1112.24A - 1112.24B / SEA WATER : 1131.24A - 1131.24B - 1132.24A - 1132.24B



GENERAL :

- Covers in white Polyester
- Arm and submergeable parts in stainless steel (316L)
- Steel frame anti-corrosion coated, galvanized and whit color paint
- Polyurethane foam seat
- Device weightl : 130kg
- Max. load capacity : 150 kg
- Maximum lifting range :
 - On the ground pool version : 170cm
 - In the ground pool version : 155cm

ELECTRIC :

- 1 power supply 230V/24VCC 10A conform 61558-2-6
- 2 batteries 12V, 8A/h
- 1 charger 24V, 1000mA, loading time : 6 hours
- 1 green light «ON» indicating that the device is powered on
- 1 digital battery status indicator (valid on battery only)

ENGINE :

- 1 up/down electric jack 24Vcc, stroke 370mm
- Rotation engine 24Vcc, 4.2A
- Adjustable rotation 360°
- Device of orientation of the seat (with manual blocking).

SAFETY DEVICES :

- Submergeable pneumatic control
- Emergency stop button
- Anti-crushing device
- Battery-powered for up and down, and rotation emergency
- Torque limiter in rotation (disengagement in the event of an obstacle)

MODELS :

Pure water :

- Ref. 1111.24A for in the ground pool with power supply
- Ref. 1111.24B for in the ground pool with battery-powered
- Ref. 1112.24A for on the ground pool with power supply
- Ref. 1112.24B for on the ground pool battery-powered

Sea or sulphurous water :

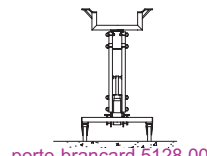
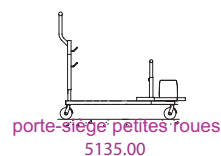
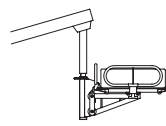
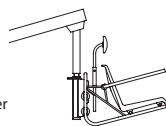
- Ref. 1131.24A for in the ground pool with power supply
- Ref. 1131.24B for in the ground pool with battery-powered
- Ref. 1132.24A for on the ground pool with power supply
- Ref. 1132.24B for on the ground pool battery-powered

ACCESSORIES :

- 9102.00 Seat, max load 150kg with armrests, headrest and safety strap
- 5135.00 «Small-wheel» seat trolley for seat 9102.00
- 5136.00 «Big-wheels» seat trolley for seat 9102.00
- 9107.00 Stretcher, maximum load 120kg with 2 side boards, removable mattress and pillow 5128.00 Height-adjustable stretcher trolley for stretcher 9107.00
- Pure water arm extension 10cm (réf. 1134.10) / 20cm (réf. 1134.20) 30cm (réf. 1134.30)
- Seawater arm extension 10cm (réf. 1135.10) / 20cm (réf. 1135.20) 30cm (réf. 1135.30)
- Raisers available (contact us)

siège 9102.00

brancard 9107.00



CONFORMITY :

- 93/42/CEE Medical devices directive
- 2014/35/UE Low voltage electrical equipment directive
- 2014/30/UE Electromagnetic compatibility directive
- NF EN 10535 Patient lift standard
- NF EN 60601-1 General safety rules electrical appliances
- NF C15-100 Electrical installation low voltage



MADE IN FRANCE
SINCE 1976