

Shower & Bath

Opale

Premium comfort and ergonomic design specifically calculated to match caregiver's needs

Shower and disinfection panels with emptying sink

REF. 3012.00 / 3012.01



Panel
3012.01

Specially designed to easily create a shower case, while ensuring the highest level of hygiene, the Opale wall panel series was built to allow washing of patients on shower stretchers, as well as the disinfection of appliances and equipment.

REVAL
LE BIEN-ÊTRE DURABLE

Shower & Bath

Opale



1L tank of disinfectant



Disinfection shower handset



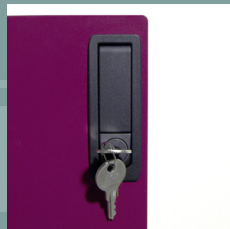
RADA SENSE mixer



Standard mixer



Secured disinfection valve



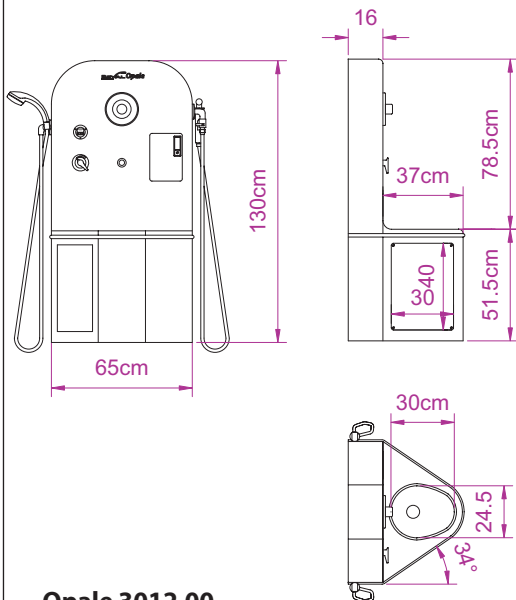
Secured door with lock key



3012.00 Panel

Shower and disinfection panels with emptying sink

REF. 3012.00 / 3012.01

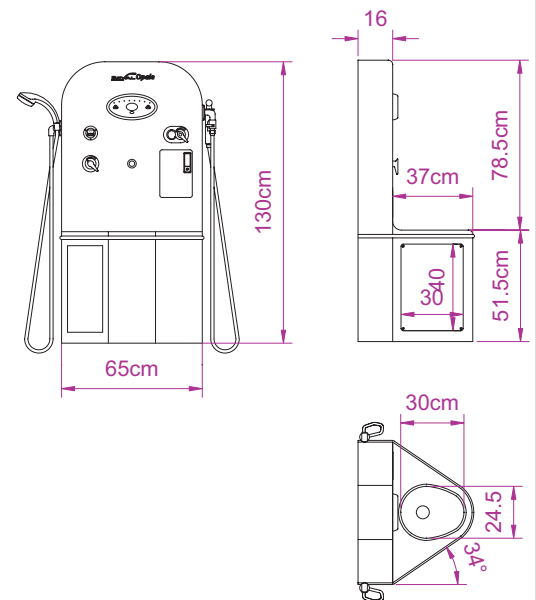


Opale 3012.00

- 54 l/min thermostatic mixer with built-in check valves and scald protection.

Opale 3012.00 & 3012.01

- Steel frame anti-corrosion coated.
- Cover in white polyester.
- Cleaning shower handset. (white flexible)
- Flow intensity adjustment valves.
- Disinfection shower handset with trigger. (yellow flexible)
- Stainless steel sink.
- Door to access to the tank of disinfectant secured by lock with key..
- Suction device of disinfectant product with stop valve and 1 liter tank.
- Digital temperature display.



Opale 3012.01

- Digital thermostatic mixer «SENSE» offering programmable max, min & default temperatures, automatic temperature on outlet selection, duty flush and thermal disinfection with datalogging capabilities.
- 48 l/min mixer with built-in check valves and scald protection.
- Disinfection valve secured by key.