

Hydrotherapy

## Lower Limbs Baths



### Lower Limbs Baths

REF. 1256.00 - 1258.00 - 1258.03



This unit is composed of two vats of rectangular form. Each vat includes a mitigated water feeding with nozzle, filling tap and overflow.

A thermostatic mixer is localised on one of the 2 vats and ensures the control of water temperature.

An air whirlpool system is integrated into the unit (ref: 1258.03). It is about injection of air under pressure with variable flow through 12 nozzles located at the bottom of the vats (6 nozzles by vat).

# Hydrotherapy

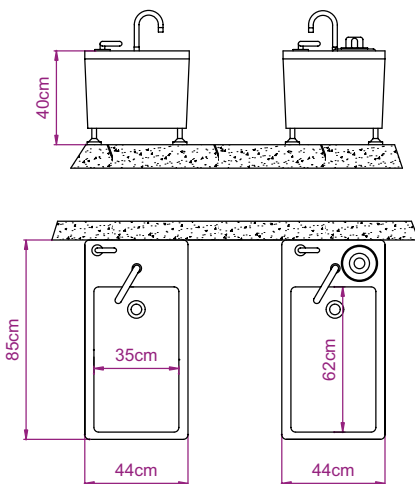
## Lower Limbs Baths



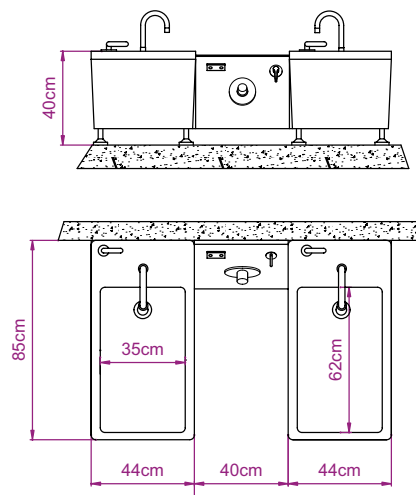
## Lower Limbs Baths

REF. 1256.00 - 1258.00 - 1258.03

### MODELS 1256.00 & 1258.00



### MODEL 1258.03



### TECHNICAL NEEDS:

To see the technical needs' sheet.

### VERSIONS:

- REF. 1256.00 Two rectangular vats with overflow.
- REF. 1258.00 Two rectangular vats with overflows, filling nozzles and thermostatic mixer.
- REF. 1258.03 Two rectangular vats with overflows, filling nozzles, thermostatic mixer and air whirlpool system.

### FEATURES:

#### VATS:

- 2 vats in polyester, white colour.
- Internal dimensions of a vat: 35cm x 62cm x 30cm.
- Water capacity for a vat: ~45 litres.
- 2 overflows.
- Feet adjustable inn height.
- Filling nozzles (on models 1258.00 & 1258.03)
- Filling taps (on models 1258.00 & 1258.03)
- 1 thermostatic mixer, flow 28 l/min with anti-burn security (on models 1258.00 & 1258.03)

#### CONTROL PANEL: (on model 1258.03)

- 1 control panel in polyester, white colour.
- 1 valve.
- 1 air whirlpool control.

#### AIR WHIRLPOOL: (on model 1258.03)

- 1 blower 230V 450W.
- 12 nozzles with anti-return valves integrated (6 nozzles by vat).
- 1 air whirlpool control with adjustable flow intensity.