

Dressing table

Amber

Comfort, hygiene and safety for perfect patient and personal care.

Hydraulic height adjustable dressing table

REF. 7724.00



The 7724.00 dressing table enables persons with a poor sitting balance to be ergonomically dressed or undressed.

The dressing table is attractive, user-friendly, easy-to-maintain, has an extensive height range.

The dressing table is safe for both the patient and the user. By positioning this highly versatile dressing table to the correct height, transfers can be easily made from other aids such as beds, stretchers, shower seats and wheelchairs.

REVAL
SUSTAINABLE WELL-BEING

Dressing table

Amber

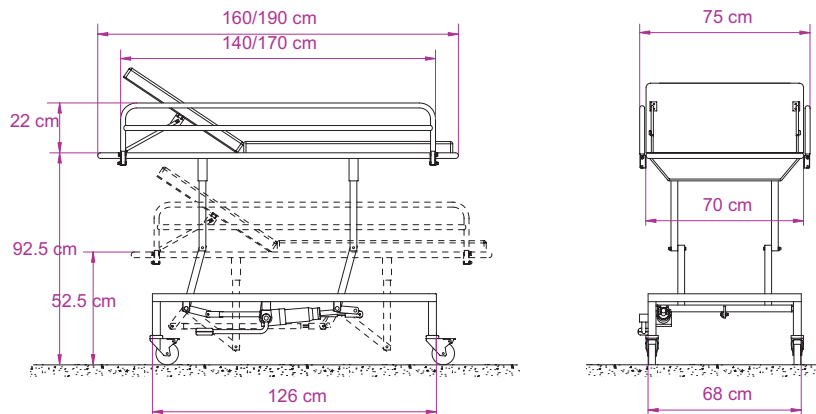


UNIQUE FEATURES

- User friendly.
- Transfer easy.
- Easy to clean.
- Rilsan coating, shockproof.
- Silent adjustable height.
- Small size.

Hydraulic height adjustable dressing table

REF. 7724.00



DESCRIPTION:

- Chassis: steel, electrolytically galvanised.
- Rilsan coating, shockproof.
- 2 folding safety barriers.
- 1 adjustable backrest.
- Stainless steel hinges and screws.
- 4 x directional braked castors.
- Hi/Lo functions by hydraulic jack and foot pedal.
- Support with leatherette cover, gray color.

PERFORMS:

- Variable height : from 52,5cm to 92,5cm
- Lifting capacity : 135 kg
- Weight of the complete unit : 53 kg

OPTIONS:

- REF 7799.01 Option leatherette cover in plum color.

CONFORMITY:

- 93/42/CEE (Medical Devices Directive)
- ISO 10535:2006 (Hoists for the Transfer of Disabled Persons)
- ISO 14971:2007 (Risk Management for Medical Devices)

