

Shower & Bath

# Crystal

Comfort, hygiene and safety for perfect patient and personal care.

## Variable height shower stretchers

REF. 3700.00 - 3701.00 - 3800.00 - 3800.20 - 3801.00 - 3802.00 - 3802.01 - 3860.00 - 3860.20 - 3861.00 - 3862.00 - 3865.00 - 3866.00

Shower stretchers that combine speed and silence, featuring a mattress designed for optimised washing and an adjustable headrest. Comfort, hygiene and safety for perfect patient and personal care.



Model  
3860.00

MADE IN  
FRANCE  
SINCE 1976

**REVAL**  
SUSTAINABLE WELL-BEING

## Shower & Bath

### Crystal



3860.91 Option



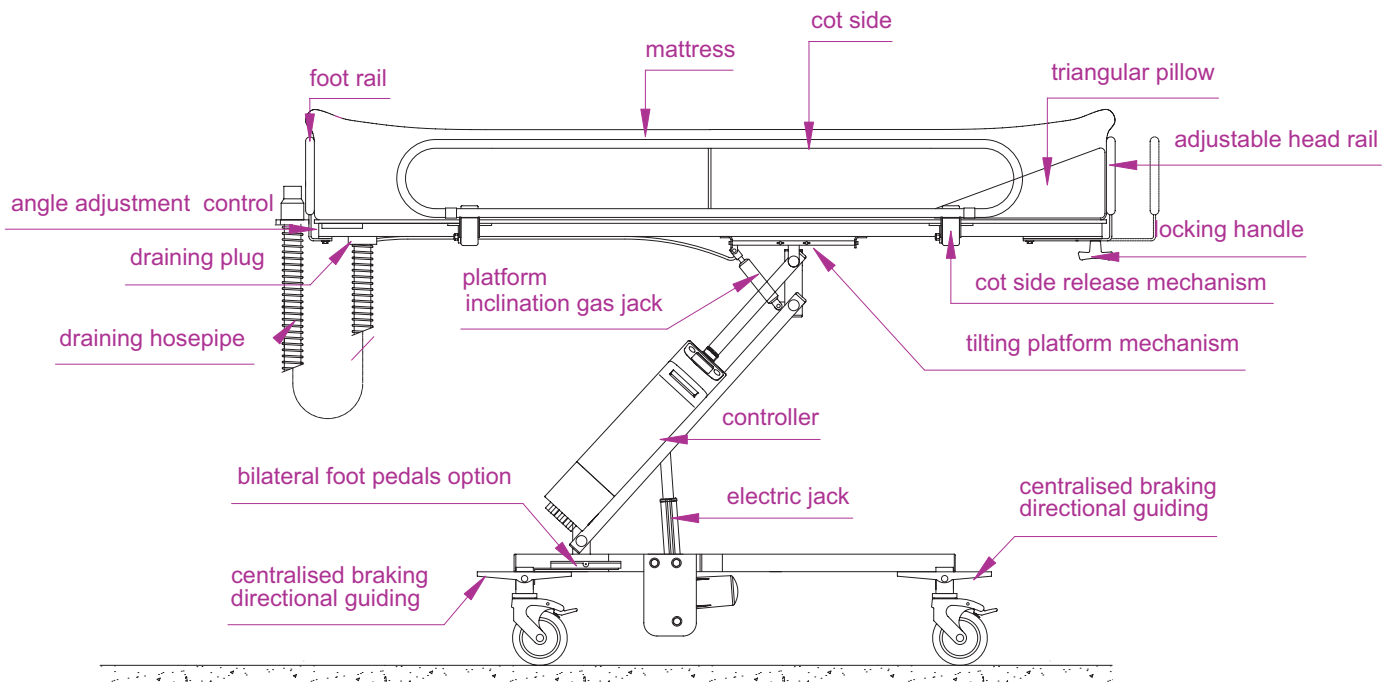
Option 3802.10



- The patient's comfort is ensured by texture of the mattress.
- The triangular headrest can adjust to any position.
- Stainless steel side rails ensure the patient's safety.
- Available in electric or hydraulic models; in standard, elongated, child or obese-sized.
- Rilsan coating.

## Variable height shower stretchers

REF. 3700.00 - 3701.00 - 3800.00 - 3800.20 - 3801.00 - 3802.00 - 3802.01 - 3860.00 - 3860.20 - 3861.00 - 3862.00 - 3865.00 - 3866.00



# Shower & Bath

## Crystal

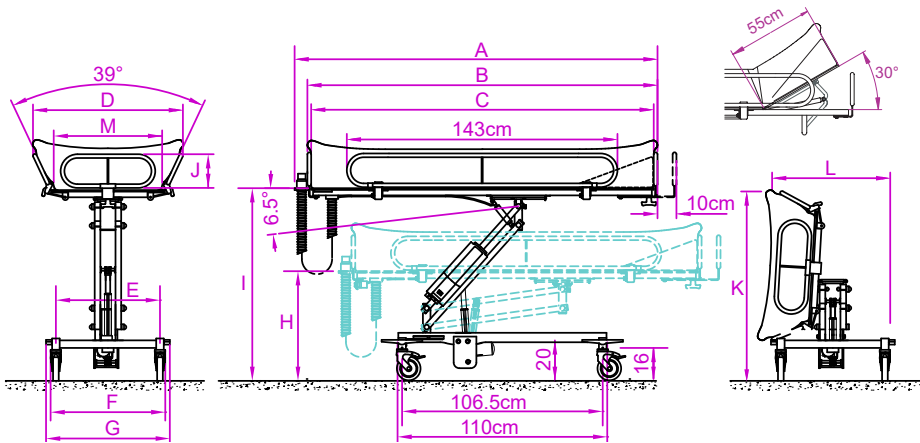


3011.01 Panel

3012.01 Panel

# Variable height shower stretchers

REF. 3700.00 - 3701.00 - 3800.00 - 3800.20 - 3801.00 - 3802.00 - 3802.01 - 3860.00 - 3860.20 - 3861.00 - 3862.00 - 3865.00 - 3866.00



### SPECIFICATIONS: (according to models)

#### Base

- Steel frame, anti-corrosion coated, painted coating.
- 316L Stainless steel frame for the 3701.00 model.
- 4 x Ø100mm wheels with brakes.
- Bi-centralized braking.
- Bi-directional guiding.
- Hydraulic jack with bilateral foot control or 24V electric jack with 2 functions hand control.

#### Platform

- White, Polypropylene (unbreakable) stretch.
- Stretcher fold down for easy storage or cleaning.
- Gas-powered tilt function motor with manual control.
- Progressive backrest lift function, adjustable from 0 to 30° by gas jack. (on model 3802.01 only)
- Lateral barrier in stainless steel, outfitted with automatic safety locks.
- Stainless steel foot rail.
- Stainless steel head rail, adjustable over 10cm.
- Stretcher protections.

#### Mattress

- Water-proof mattress built for intensive use, in soft PVC.
- Central drain hole near feet.
- Ø40mm flexible drain pipe.
- Triangular headrest.

#### Conformity:

- 93/42/CEE (Medical equipment directive)
- NF EN 12182 (Tech. support systems for handicapped persons)
- NF EN 1441 (Risk analysis for medical equipment)

#### Options:

- 3860.91 Bilateral foot pedals for electric shower stretchers.
- 3860.93 24V Battery.
- 3700.80 Pole bearing serum bottle.



	3700.00	3701.00 (STAINLESS STEEL)	3800.00	3800.20	3801.00	3802.00	3802.01	3860.00	3860.20	3861.00	3862.00	3865.00	3866.00
HYDRAULIC MODELS	●	●	●	●	●	●	●						●
ELECTRIC MODELS								●	●	●	●	●	
BRAKES ON WHEELS	●	●											
BI-CENTRALIZED BRAKING			●	●	●	●	●	●	●	●	●	●	●
STRETCHER FOLD DOWN			●	●	●	●	●	●	●	●	●	●	●
GAS-POWERED TILT FUNCTION			●	●	●	●	●	●	●	●	●	●	●
MULTI-POSITION BACKREST							OPTION						
PROGRESSIVE BACKREST							STANDARD			STANDARD			
MAXIMUM PATIENT WEIGHT	160 Kg	160 Kg	160 Kg	160 Kg	160 Kg	160 Kg	160 Kg	160 Kg	160 Kg	160 Kg	160 Kg	200 Kg	160 Kg
WEIGHT	60 Kg	60 Kg	65 Kg	60 Kg	68 Kg	70 Kg	70 Kg	70 Kg	65 Kg	73 Kg	75 Kg	92 Kg	87 Kg
CAPACITY(Cycles / load)								40 to 130 Kg	40 to 130 Kg	40 to 130 Kg	40 to 130 Kg	20 to 200 Kg	
MEASUREMENT "A"	192 cm	192 cm	192 cm	172 cm	202 cm	202 cm	202 cm	192 cm	172 cm	202 cm	202 cm	202 cm	202 cm
MEASUREMENT "B"	185 cm	185 cm	185 cm	165 cm	195 cm	195 cm	195 cm	185 cm	165 cm	195 cm	195 cm	195 cm	195 cm
MEASUREMENT "C"	181 cm	181 cm	181 cm	161 cm	191 cm	191 cm	191 cm	181 cm	161 cm	191 cm	191 cm	191 cm	191 cm
MEASUREMENT "D"	80 cm	80 cm	80 cm	80 cm	80 cm	89 cm	89 cm	80 cm	80 cm	80 cm	89 cm	101 cm	101 cm
MEASUREMENT "E"	55 cm	55 cm	66 cm	66 cm	66 cm	66 cm	66 cm	66 cm	66 cm	66 cm	66 cm	75 cm	75 cm
MEASUREMENT "F"	61 cm	61 cm	72 cm	72 cm	72 cm	72 cm	72 cm	72 cm	72 cm	72 cm	72 cm	81 cm	81 cm
MEASUREMENT "G"	67 cm	67 cm	79 cm	79 cm	79 cm	79 cm	79 cm	79 cm	79 cm	79 cm	79 cm	87 cm	87 cm
MEASUREMENT "H"	54 cm	54 cm	56 cm	56 cm	56 cm	56 cm	56 cm	59 cm	59 cm	59 cm	59 cm	58 cm	56 cm
MEASUREMENT "I"	98 cm	98 cm	100 cm	100 cm	100 cm	100 cm	100 cm	100 cm	100 cm	100 cm	100 cm	99 cm	99 cm
MEASUREMENT "J"	18 cm	18 cm	18 cm	18 cm	18 cm	18 cm	18 cm	18 cm	18 cm	18 cm	18 cm	24 cm	24 cm
MEASUREMENT "K"			90 cm	90 cm	101 cm	101 cm	101 cm	90 cm	90 cm	90 cm	101 cm	95 cm	95 cm
MEASUREMENT "L"			68 cm	68 cm	68 cm	79 cm	79 cm	68 cm	68 cm	68 cm	79 cm	74 cm	74 cm
MEASUREMENT "M"	56 cm	56 cm	56 cm	56 cm	56 cm	67 cm	67 cm	56 cm	56 cm	56 cm	67 cm	76 cm	76 cm

