

Shower & Bath

Caprice

All the profits of the bath thanks to a versatile equipment

Variable Height Bath & Integral Transfer System

REF. 7100.1 **

When the access to the bath becomes difficult or impossible, the Caprice, thanks to its integrated transfer system, allows the disabled persons to benefit from an independent and secure bath. The variable height tub with a studied depth, guarantees working comfort and relaxation.



MADE IN
FRANCE
SINCE 1976

REVAL
SUSTAINABLE WELL-BEING

Shower & Bath

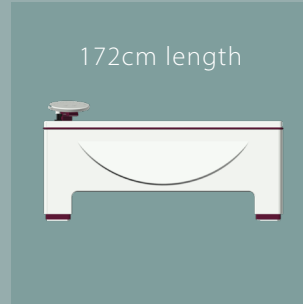
Caprice



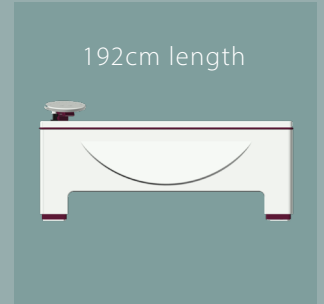
Sense Digital Mixer



Watts Mixer



Short tub



Long tub



Integrated patient hoist
2 niveaux



Aromatherapy



Air whirlpool 2 levels



Disinfection system



Chromotherapy



Musicotherapy



Transfer trolley



Polyurethane pillow

Shower & Bath

Caprice



Variable Height Bath & Integral Transfer System

REF. 7100.1 **

DESCRIPTION:

- White reinforced polyester bathtub, 2 lengths available: 170cm or 190cm with footrest.
- Variable height by 24V electric jack.
- Hand shower with flow control.
- Manual drain with overflow.
- Watts Eurotherm 54 l/min thermostatic mixing valve with non-return valves and anti-scald protection. (depending on version)
- Rada Sense 48 l/min digital thermostatic mixing valve with check valves, scald protection anti-scald protection, programmable minimum, maximum and default temperatures for handwash and thermal pipe disinfection. (depending on version)
- Solar temperature display.
- Compatible with seated or recumbent transfer carts. (depending on length)
- Drain with Ø 40mm siphon.
- IP66 height control.
- 304L stainless steel lift.
- Polyurethane foam seat and backrest.
- Footrest on long bowl

DATAS:

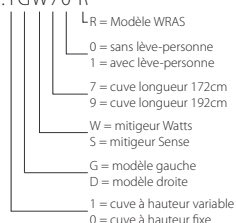
- Max. water volume (short tank) (to overflow): 240 liters
- Max. water volume (long tank) (to overflow): 289 liters
- Lifting range: 300mm
- Lift amplitude: 400mm
- Filling time at 3 bars: 4min30
- Maximum patient weight in tank: 200kg
- Maximum patient weight on elevator: 125kg

CONFORMITY:

- CE Marking
- Medical Device 93/42/EEC Class I
- NF EN 60601-1 (basic safety and performance).
- NF EN 60601-1-2 (electromagnetic compatibility).
- 73/23/CEE (Low voltage directive).
- NF EN 1717 (Protection against pollution of drinking water...).

REFERENCES: REF. 7100.1GW70 R

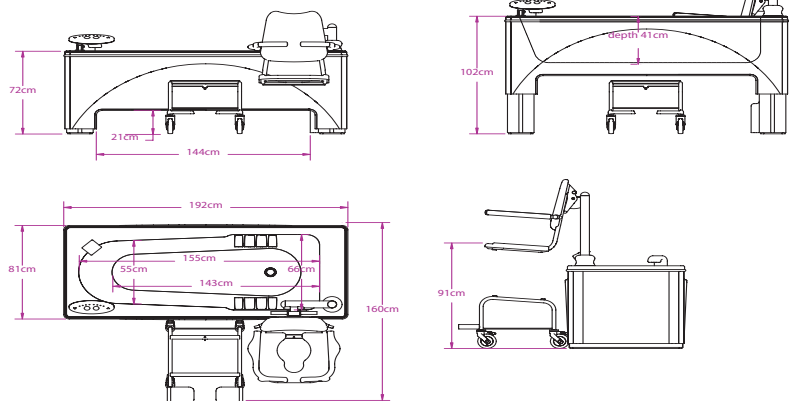
CODIFICATION:



EQUIPEMENTS EN OPTION:

- REF. 7100.10 Transfer trolley.
- REF. 7100.40 Disinfection shower with flow adjustment, disinfectant suction system and 2 litres tank secured hatch with lock with key.
- REF. 7100.20 12 nozzles air whirlpool with variable speed and purge at end of cycle
- REF. 7100.60 Chromotherapy, 4 LED lamps, 6 colors.
- REF. 7100.70 Aromatherapy.
- REF. 7100.80 Musicotherapy. (Bluetooth device)
- REF. 7100.96 Mattresses

VERSION WITH VARIABLE HEIGHT (left model) :



VERSION WITH FIXED HEIGHT (left model):

