

Hydrotherapy

# Butterfly Pool

Reviving the Senses

Rehabilitation & Relaxation Pool

REF. 1243.00

The Butterfly pool offers a playful space of great polyvalence, even in small rooms. Designed to promote rehabilitation and relaxation, it is conceived with an innovative ergonomomy and has been studied to be functional, comfortable and securing.



MADE IN

FRANCE

SINCE 1976

**REVAL**  
SUSTAINABLE WELL-BEING

# Hydrotherapy



## Rehabilitation & Relaxation Pool

REF. 1243.00

### VERSIONS:

REF. 1243.00 Butterfly pool with filtering group, heater, semi automatic chlorination and pH, patient shower head.

### OPTIONS :

- REF. 1243.10 Under water massage system, 6 water/air directional nozzles.
- REF. 1243.20 Air whirlpool with 20 nozzles on the ground of the pool.
- REF. 1243.30 "Kine" lance of massage 0-10 bars.
- REF. 1243.41 System of injection with automatic pumps of the Chlorine and the pH.
- REF. 1243.50 Automatic filling.
- REF. 1243.60 Chromotherapy option.
- REF. 1243.70 Aromatherapy option (incompatible without the whirlpool option)
- REF. 1243.80 Protecting cover.
- REF. 8905.00 Kit of analysis for Ph and chlorine by photometer.

### MAIN CHARACTERISTICS:

- Tub capacity: 1800 liters.
- Weight of the control panel: 125 kg.
- Weight of the tub without control panel: 200 kg.
- Water volume up to the handrail: 1400 liters.
- Water height up to the handrail: 50cm.
- Pool in white in thermoformed acrylic in armed polyester.
- Frame in stainless steel, equipped with 9 adjustable feet.
- Mixer taps Grohe with pouring spout.
- Dosing pumps injecting chlorine and pH.
- Chlorine and pH controls secured with a key.
- 2 tanks of 5L behind a trap door for the chlorine and pH.
- Patient shower head.
- Water meter.
- Skimmer with adjustment valve.
- Drain and suction part with adjustment valve.
- 4 handrails in stainless steel.
- Trap doors secured by key.

### SOUND LEVELS:

- Filtration : 47dBA
- Under water massage system : 57dBA
- Under water massage system + air injection : 61dBA
- Underwater lance of massage : 69dBA
- Air whirlpool : 73dBA

### FILTRATION:

- Regeneration of the water volume (1400 liters) in 15 minutes
- Circulation pump real flow rate : 5,6m<sup>3</sup>/h
- Filter with 3 way valve (filtration, clean, rinse)
- 25kg filtering glass (improved thinness of filtration)
- 3 taps for samples supply point
- Integrated heater 3kw
- Watermeter and manometer of control
- Sensitive control panel with digital thermometer, temperature graduation, clock...

### SAFETY SYSTEMS:

- Water level probe with alarm light.
- Automatic shutdown of the system if the water temperature of the bath exceeds 43°C.
- Automatic shutdown of the system if the water temperature in the heater exceeds 48°C.

### CONFORMITY:

- Circular n°DGS/EA4/2010/289 dated 27th July 2010 regarding infection's control, especially the prevention of Legionellosis in spas for groups and public spaces.
- Order of May 26, 2021 amending the order of April 7, 1981 on technical provisions applicable to swimming pools.
- Article D1332-1 (sanitary rule for pools)
- EN 1717 (protection against pollution of drinking water in inside networks and main demands of devices against pollution by return)
- 73/23/CEE (directive low voltage)

### UNDERWATER MASSAGE UNIT 6 NOZZLES:

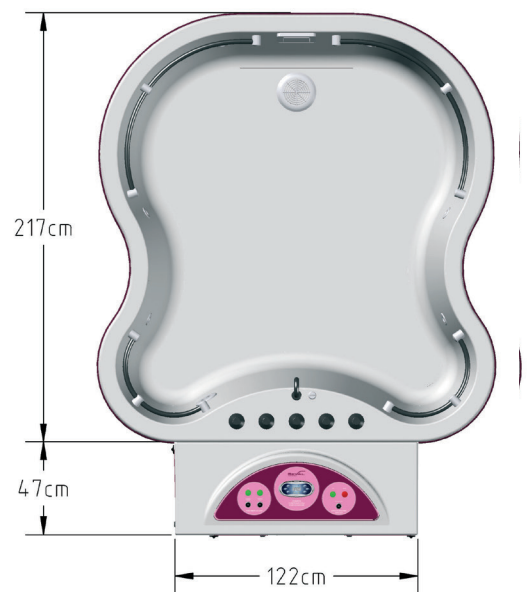
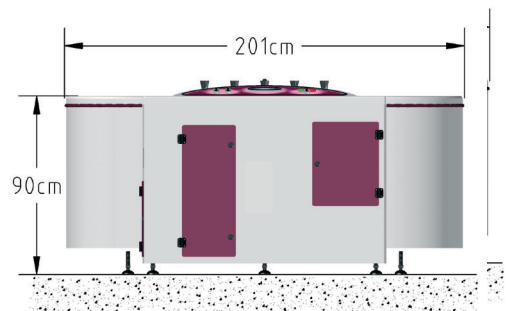
- 6 directional nozzles 15cm height under the water line.
- Massage pump 20m<sup>3</sup>/h
- Control of the air/water mix since the coping of the tub.

### AIR WHIRLPOOL:

- 20 air nozzles on the ground of the tub.
- Blower 1150W with integrated air heater.

### AROMATHERAPY:

- 1 device diffusing essential oils through the nozzles of the air whirlpool.



### «KINE» LANCE OF MASSAGE UNIT 0-10 BARS:

- 1 lance of massage.
- 1 booster rate 80L/min, pressure 1.5 to 8 bars, adjustable from the control panel.
- 1 pressure manometer 0 to 10 bars