

Shower & Bath

Bagheera

A soft shaped bathtub, with easy entry from all sides

Variable height bathtub

REF. 7601.01 / 7601.02

Designed to be installed in the centre of the bathroom, the Bagheera features all essential functions and the highest level of safety. Its flexibility and its soft contours offer proven advantages for patients and caregivers alike.



REVAL
SUSTAINABLE WELL-BEING

Shower & Bath

Bagheera

UNIQUE FEATURES



7600.30 «Frame foot» option



Temperature displays



Disinfectant tank



Drain control



«Waterfall» filling

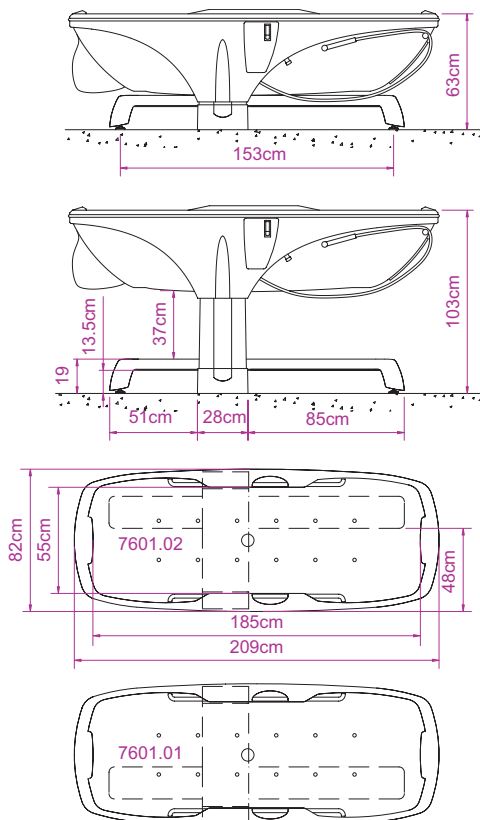


Rada Sense mixer

- The option of placing the patient's head at either end of the bathtub.
- An automatic stop for filling.
- Variable height capability of bathtub frees the caregiver of operational challenges.
- A bactericidal storage compartment, securely integrated to the bathtub's exterior wall.
- Double-paned bathtub liner to ensure the perfect temperature and sound isolation during whirlpool function.
- Well-being add-ons to increase and optimise bath time's beneficial effects.

Variable height bathtub

REF. 7601.01 / 7601.02



MODELS :

- 7601.01 Bagheera with control panel on the right.
- 7601.02 Bagheera with control panel on the left.

OPTIONS :

- 7600.20 Air whirlpool with integrated heater.
- 7600.30 «Frame foot»
- 7600.60 Chromotherapy.
- 7600.70 Aromatherapy.
- 7600.80 Musicotherapy. (Bluetooth device)

GENERAL :

- Reinforced fiberglass tub.
- Lifting range: 40 cm
- Inside length: 185 cm
- Inside width: 55 cm
- Depth: 42 cm
- Maximum weight of the patient: 200 kg
- Weight of the bathtub: 160 kg
- Filling time (under 3 bars): 6 min
- Draining time: 5 min
- Rising time of the tub: ~20 s

ELECTRICITY :

- General electric feeding: 220/230V, 50hz.
- Power: 400W for 7601.01/02 and 1150W with whirlpool option.
- Pump of air whirlpool: 230V, 50hz, 500W + heater 250W.

PLUMBING :

- «Rada Sense» bath & shower concealed digital mixing valve offering programmable max, min & default temperature, automatic temperature on outlet selection, duty flush and thermal disinfection with datalogging capabilities.
- Solar temperature displays.
- 3/4" hot and cold water feedings.
- Ø 50mm draining.
- 2 liters tank of disinfectant.
- Disinfection and cleaning showers with pawls.
- Disinfection system by bactericide suction.

UP/DOWN :

- 2 electric jacks (24V), stroke 400mm and 2 gas jacks.

SAFETY SYSTEMS :

- Anti-crushing device in case of pressing on the frame foot.
- Automatic filling stop by setting of filling time.

COMFORMITY

- Electric standard: EN 60601-1.
- Electromagnetic compatibility standard: EN 60601-1-2

